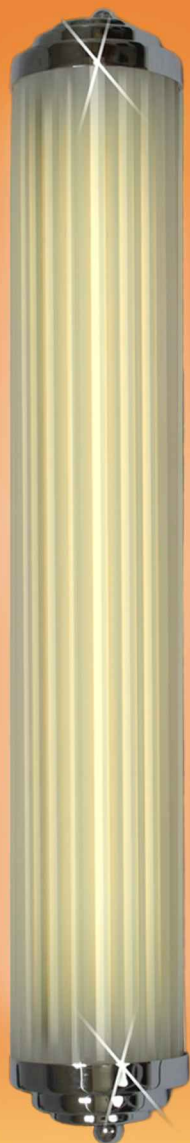


# Model 336



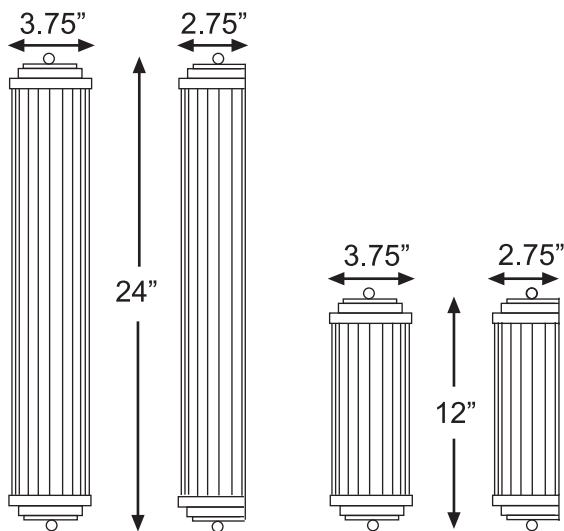
## Timeless Elegance



**AAMSCO LIGHTING, INC.** 100 Lamp Light Circle • Summerville, SC 29483  
1-800-221-9092 • Fax 843-278-0001 • [www.aamsco.com](http://www.aamsco.com)

# Model 336

Classic design and elegance in visual harmony with today's state of the art light source. 336 conforms to A.D.A. regulations and can be mounted vertically or horizontally. Clear and frosted glass rods can be used in combination to create unique luminaires. 220v export versions are available.



## Mounting:

Luminaires should be affixed to a mechanically sound surface using the mounting holes on each end. Surface mounting width is 3.25 inches. Electrical connection should be made to a box 3 inches or smaller.

## Ordering Information

Catalog #	Description	Lamp
33612	12" Incandescent	1 x 60T10
33624-I	24" Incandescent	2 x 60T10
33624-F	24" Fluorescent	1 x 13w T-5

## Color/Finish - add to catalog number

Suffix	Description	Suffix	Description
PC	Polished Chrome	PN	Polished Nickel
SC	Satin Chrome	SN	Satin Nickel
PB	Polished Brass	AN	Antique Nickel
SB	Satin Brass	AB	Antique Brass

## Glass Rods:

Frosted rods are standard. For clear or combination, please specify when ordering.



**AAMSCO LIGHTING, INC.** 100 Lamp Light Circle • Summerville, SC 29483  
1-800-221-9092 • Fax 843-278-0001 • [www.aamsco.com](http://www.aamsco.com)