

MIRROR-LUX[®] LED



Introducing the MIRROR-LUX[®] LED-the latest version of AAMSCO LIGHTING'S collection of energy saving bath & vanity luminaires. The MIRROR-LUX[®] LED conserves energy without sacrificing design.

AAMSCO LIGHTING, INC.

100 Lamp Light Circle • Summerville, SC 29483
Toll Free: 1-800-221-9092 • Fax: 843-278-0001
www.aamsco.com

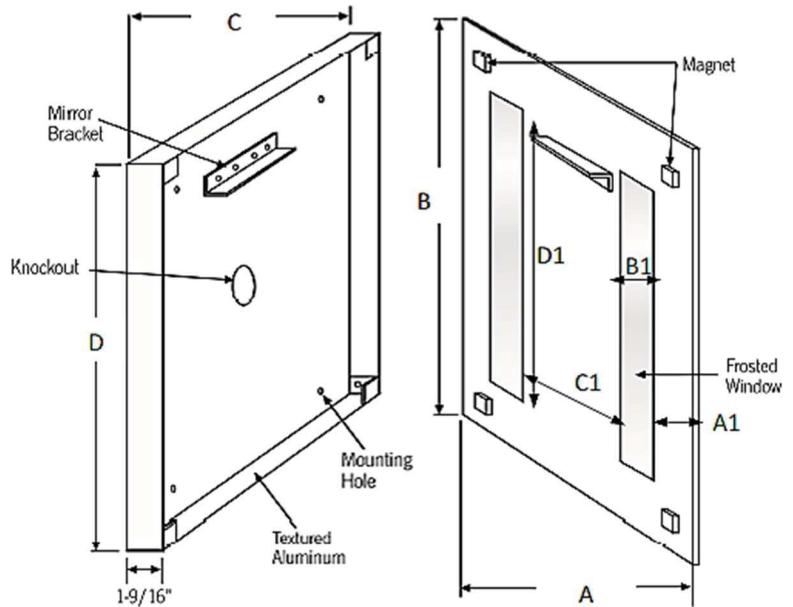


MIRROR-LUX® LED

TECHNICAL & ORDERING DATA 4 standard models available

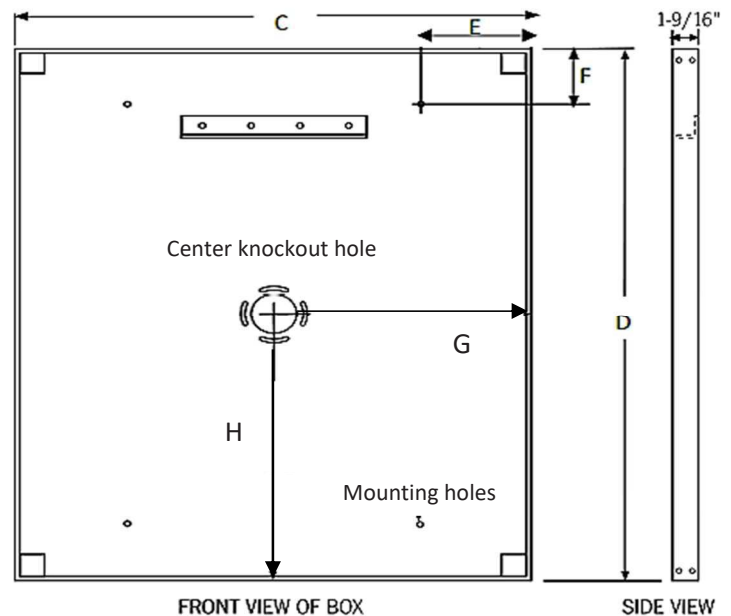
- **Voltage:** 120-277
- **Light Source:** LED
- **Mounting:** Surface mount. Mounting holes (4) provided for mounting to a mechanically sound surface. Recessed mounting kit offered as an available option.
- **Dimmable:** 0-10V
- **Color temp:** Standard 3000K. Other color temperatures available; consult factory.
- **ETL** listed for damp locations; IP65
- **ADA:** Conforms to regulations of the Americans with Disabilities Act.

Custom sizes available; consult factory.
Re-lamp by removing glass.



DIMENSIONS

MODEL #	ML6002	ML1840	ML2440	ML3640
GLASS DIMENSIONS				
A	23.62"	18.00"	24.00"	36.00"
A1	2.00"	2.00"	2.00"	2.00"
B	27.56"	40.00"	40.00"	40.00"
B1	2.00"	1.00"	1.00"	2.00"
C1	14.75"	12.00"	18.00"	28.00"
D1	19.62"	31.50"	31.50"	31.50"
BOX DIMENSIONS				
C	20.75"	16.00"	22.00"	34.00"
D	24.87"	36.25"	36.25"	36.25"
E	4.50"	4.00"	4.00"	6.00"
F	2.25"	4.50"	4.50"	6.00"
G	10.5"	8"	11"	17"
H	12.5"	18"	18"	18"
Total Watts	16	25	25	25
Total Lumens at 3000K	1160	1793	1793	1793



Drawings not to scale.

*Please note Aamsco reserves the right to vary placement of inserts and mounting features to accommodate manufacturing tolerances. Specifications outlined are subject to +/- 1/8" variance.

July 2017



AAMSCO LIGHTING, INC.

100 Lamp Light Circle • Summerville, SC 29483
Toll Free: 1-800-221-9092 • Fax: 843-278-0001 • www.aamsco.com