



ARCHITECTURA LED WALL SCONCE



Model No.W3A0118

This unique LED wall sconce really makes a statement. The curved body of the sconce brings out its true architectural character.
Perfect for hospitality or commercial designs.



Commercial – Hospitality – Retail – Residential – Custom

AAMSCO LIGHTING, INC.

100 Lamp Light Circle | Summerville, SC 29483

Phone 843-278-0000 | Fax 843-278-0001 | www.aamsco.com

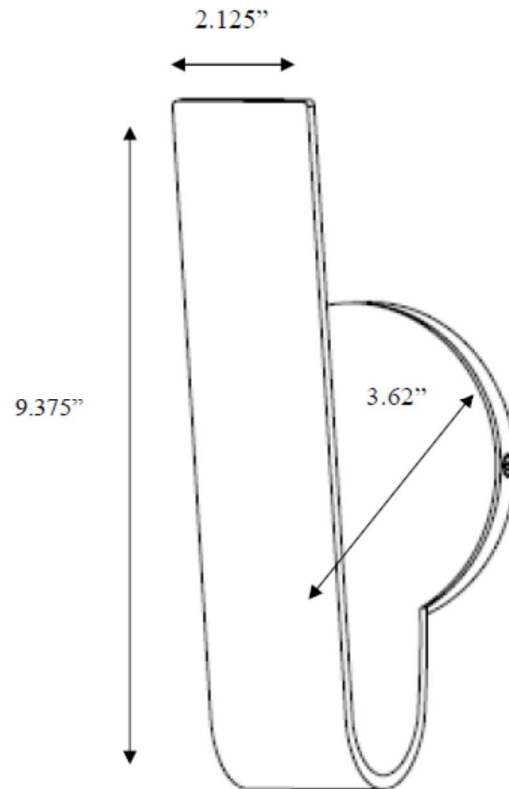


Electrical Specifications:

Volts: 120V
Watts: 3W High Power LED
Lumens: 315lm
Color Temperature: 3000k, 85CRI
Finish: White Powder Coat
ETL & ADA Compliant

*available in textured silver finish

Surface mount, indoor use only.



Commercial – Hospitality – Retail – Residential – Custom

AAMSCO LIGHTING, INC.

100 Lamp Light Circle | Summerville, SC 29483

Phone 843-278-0000 | Fax 843-278-0001 | www.aamsco.com