



ARCHITECTURA LED WALL SCONCE



Model No. W3A0004

This bi-directional LED wall sconce incorporates two 3W high power LEDs. It can be the perfect accent light in any space. Perfect for hospitality or commercial designs.



Commercial – Hospitality – Retail – Residential – Custom

AAMSCO LIGHTING, INC.

100 Lamp Light Circle | Summerville, SC 29483

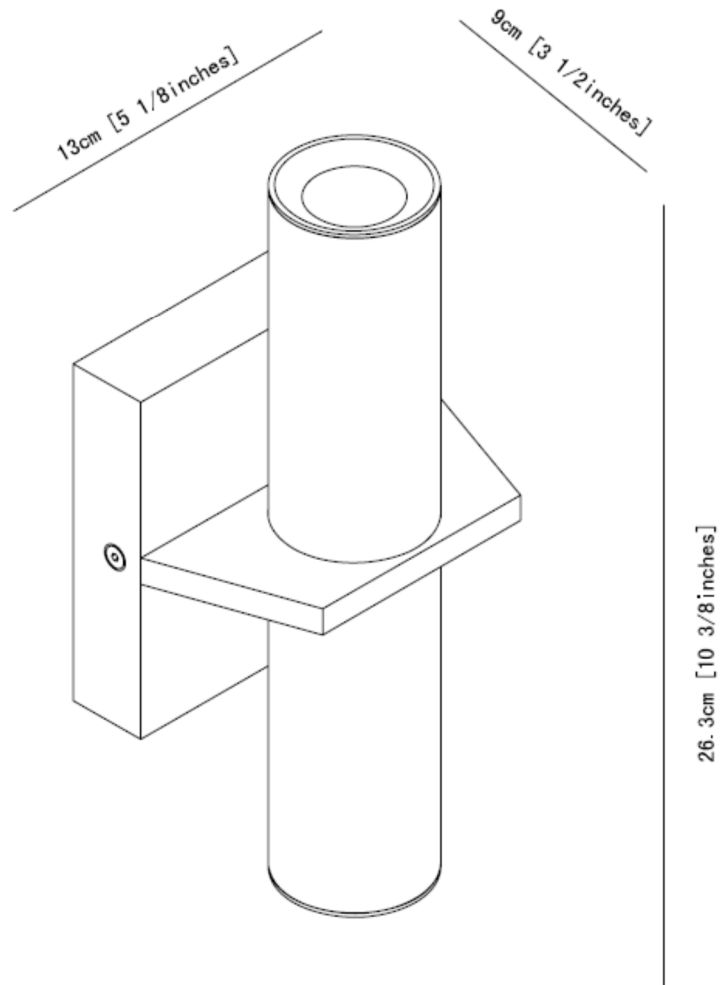
Phone 843-278-0000 | Fax 843-278-0001 | www.aamsco.com



Electrical Specifications:

Volts: 120V
Watts: 2 x 3W High Power LED
Total lumens: 300lm
Color Temperature: 3000k, 85CRI
Finish: Brushed Silver
ETL & ADA Compliant

Surface mount, indoor use only.



Commercial – Hospitality – Retail – Residential – Custom

AAMSCO LIGHTING, INC.

100 Lamp Light Circle | Summerville, SC 29483

Phone 843-278-0000 | Fax 843-278-0001 | www.aamsco.com