

ALINEA[®]ES and DELTA



Decorative Linear Fluorescents

AAMSCO LIGHTING, INC.

100 Lamp Light Circle • Summerville, SC 29483
 Toll Free: 1-800-221-9092 • Fax: 843-278-0001
 www.aamsco.com

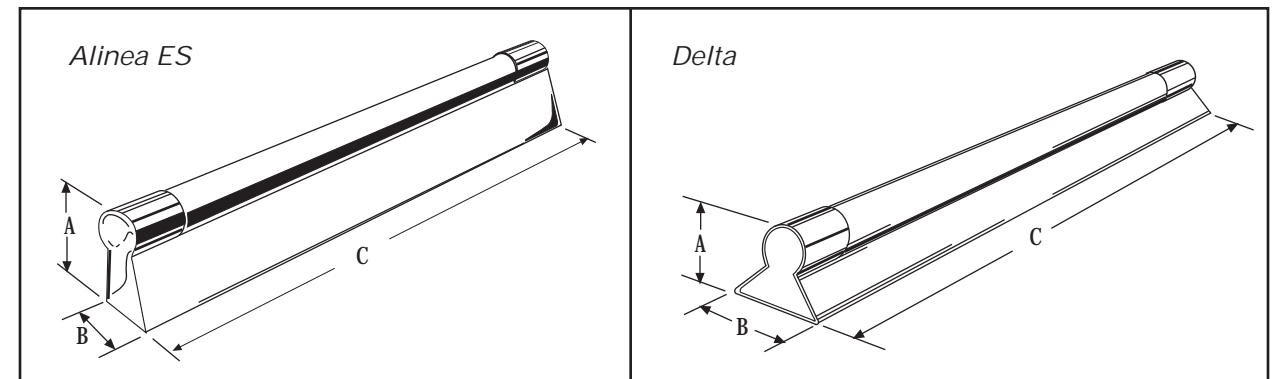


Technical & Ordering Data

Standard Specifications

Voltage: 120
 (277 Volts available, consult factory)
Ballast: Electronic high power factor
Power supply: The housing can be directly wired to the cable feed. The Delta will cover a standard 2 inch switch box.

Mounting: The housing assembly is provided with keyhole slots for mounting to a mechanically sound surface. For surface mount only. Listed for damp locations. Conforms to the regulations of the Americans with Disabilities Act.



Catalog#	Description	Dimensions			Lamp
		A	B	C	
9024	2' Alinea ES	2-11/16"	1-7/16"	24-1/8"	F17T8 / TLD18
9036	3' Alinea ES	2-11/16"	1-7/16"	36-1/8"	F25T8 / TLD30
9048	4' Alinea ES	2-11/16"	1-7/16"	48-1/8"	F32T8 / TLD36
9324	2' Delta	2-3/8"	2-1/2"	24-1/8"	F17T8 / TLD18
9336	3' Delta	2-3/8"	2-1/2"	36-1/8"	F25T8 / TLD30
9348	4' Delta	2-3/8"	2-1/2"	48-1/8"	F32T8 / TLD36

Color/Finish – add to catalog number

Suffix	Description	Suffix	Description
WE	White Powder Coat	AB	Antique Brass
PC	Polished Chrome	PN	Polished Nickel
SC	Satin Chrome	SN	Satin Nickel
PB	Polished Brass	AN	Antique Nickel
BE	Black Powder Coat	SB	Satin Brass

For accenting end caps, add a second set of letters to the ordering number. Example: 9024 WE/BE (Alinea ES, white body, black end caps).

Options – order separately

Catalog number	Description
LC 24	2' lamp cover
LC 36	3' lamp cover
LC 48	4' lamp cover

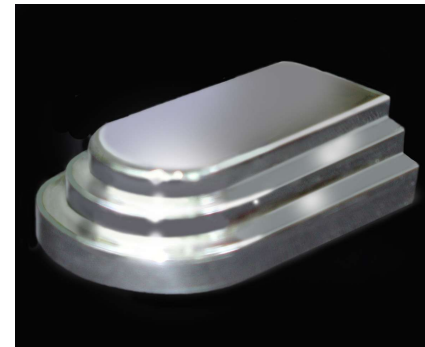
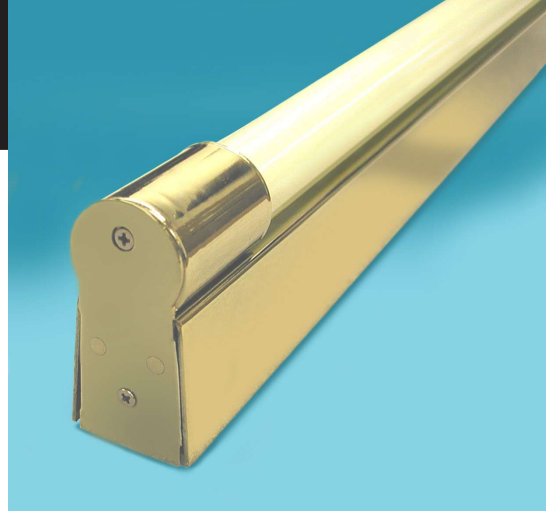
AAMSCO is not responsible for typographical errors. Data subject to change. All dimensions nominal; Please consult factory for verification.

Alinea is a trademark of AAMSCO Lighting, Inc.



100 Lamp Light Circle • Summerville, SC 29483 • Toll Free: 1-800-221-9092 • Fax: 843-278-0001 • www.aamsco.com

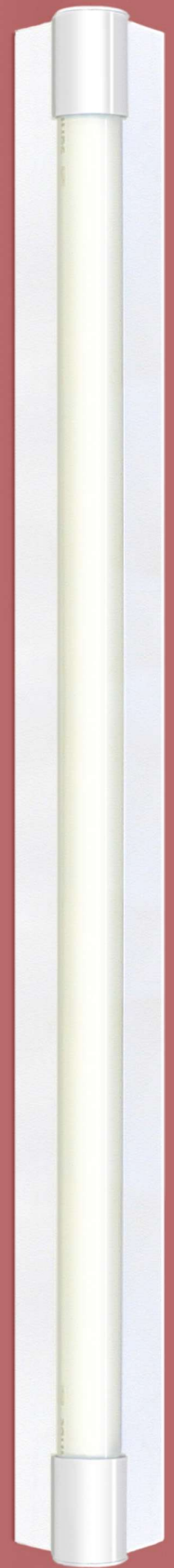
* Note: Not all Kelvin Temperatures are available in all CRI's. Consult factory for availability.



Optional Art Deco Step Cap for use with Alinea ES



Alinea ES Antique Brass



DELTA White Powder Coat

Alinea ES and Delta, State of the Art Fluorescent Luminaires from AAMSCO

The light is distortion free. The color rendering quality is excellent, as high as 98 C.R.I. The luminaires are sleek and streamlined, yet they discretely contain the industry's most compact electronic ballasts. Both are energy efficient without sacrificing design. AAMSCO has taken fluorescent lighting one step further.

The timeless classic design of the Alinea ES enhances the beauty of the linear lamp. The profile of the Delta makes a bolder design statement while maintaining a clean, crisp appearance.

Energy Efficient

The Alinea ES and Delta use an integral electronic ballast to operate energy efficient T-8 lamps. The high power factor ballast conforms with all E.P.A. regulations. The lamps start instantly without the flickering associated with other luminaires.

In addition to standard T-8 lamps, Alinea ES and Delta will operate special high color rendering lamps. These superior color rendering lamps produce tri-chromatic light in colors that correspond closely to the responses of the human eye for a more true to life appearance.

Available Kelvin Temperatures*

Color Temperatures	Color Rendering Index	Efficacy (lumens/watt)
• 2700	85	90
• 3000	85	90
• 3000	95*	65
• 3500	85	90
• 3800	95*	65
• 4100	85	90
• 5000	98*	65
• 6500	85	90
• 6500	98*	65

*Superior color rendering lamps

Quality Finishes

White and black are painted after fabrication with a polyester resin powder. This ensures a thicker coat and smooth edges preventing injury or corrosion.

Before plating nickel, brass, or chrome, each component is hand polished with meticulous detail. Only the finest materials are used to produce these luminaires.

Available Finishes

- White Powder Coat
- Black Powder Coat
- Polished Chrome
- Satin Chrome
- Polished Brass
- Satin Brass
- Antique Brass
- Polished Nickel
- Satin Nickel
- Antique Nickel

Options

Lamp Cover: An optional impact resistant lamp cover is available for installations where lamp protection is required. (Children's bathroom, hospitals, corridors, etc.)

Ballasts for multiple lamps and other voltages are available. Consult factory for details.

Here are just a few of the applications where Alinea ES and Delta can be used:

- Bathrooms
- Kitchens
- Corridors
- Restaurants
- Beauty Salons
- Dressing Rooms
- Retail Display
- Elevators