



ALINEA®

9200

DIMMABLE



Introducing ALINEA 9200, the latest addition to AAMSCO Lighting's collection of energy saving bath and vanity luminaires. Achieve total control and versatility with ALINEA 9200's electronic dimming feature. Choose from our selection of high color rendering lamps to reach a perfect color balance for your individual needs. The ALINEA 9200 is available in two lengths and a variety of finishes. Call for a free color brochure.



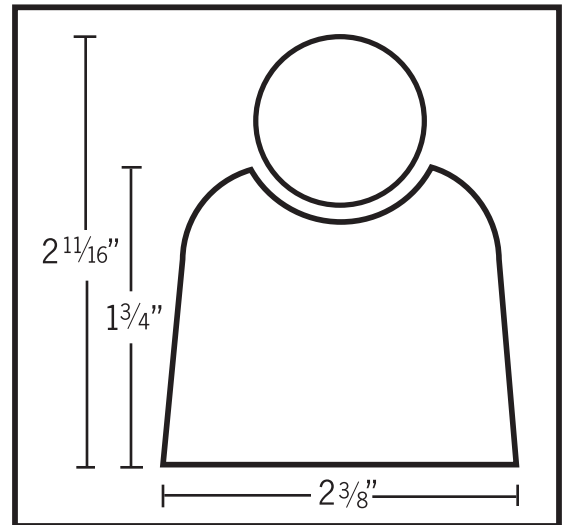
AAMSCO LIGHTING, INC. 100 Lamp Light Circle • Summerville, SC 29483
1-800-221-9092 • Fax 843-278-0001 • www.aamsco.com

ALINEA® 9200 SERIES

Made in U.S.A.

The ALINEA 9200 Series offers all the features of its sibling luminaires, ALINEA & DELTA plus the following:

- Decorative round profile.
- New electronic ballast that is dimmable with ultra-quiet operation, low harmonic distortion.
- Fluorescent dimmer is required for operation. (not included)
- Housing wide enough to cover a 2" switch box without an additional wall plate.



Standard Specifications

Catalog #	Length	Ballast*	Lamp*
9236	36 1/8"	2 or 4-wire 120v Electronic Dimming to 10%	25 watt T8
9248	48 1/8"	2 or 4 wire 120v Electronic Dimming to 10%	32 watt T8

Minimum Lamp Starting Temperature 10°C (50°F)

Color/Finish - add to catalog number		Options- Order Separately	
Suffix	Description	Catalog #	Description
WE	White Powder Coat	LC36	3' Lamp Cover
PC	Polished Chrome	LC48	4' Lamp Cover
SC	Satin Chrome		
SN	Satin Nickel		
SB	Satin Brass		

example: 9236 PC - 36" luminaire in polished chrome

*For international voltage, special lamp/ballast combinations, and additional lamping options, please consult factory representative for details. Lamps and dimmers not included. AAMSCO reserves the right to make improvements or changes without prior notice.



AAMSCO LIGHTING, INC. 100 Lamp Light Circle • Summerville, SC 29483
1-800-221-9092 • Fax 843-278-0001 • www.aamsco.com